

# AMERISINK

## LEGEND

### SHORT APRON STAINLESS STEEL SINK

## AS350A

### Features

- 31.25" x 20" x 9"
- 18 gauge, 304 stainless steel
- Short apron front
- Handcrafted
- Rear drain
- Easy-to-clean, brushed finish
- Spray insulated undercoating & sound pads
- Limited lifetime warranty



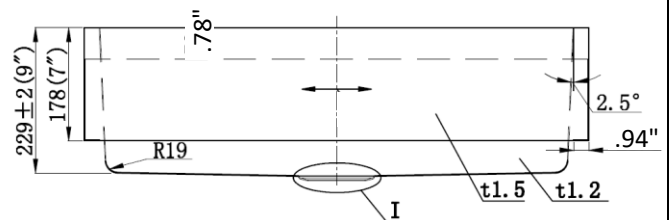
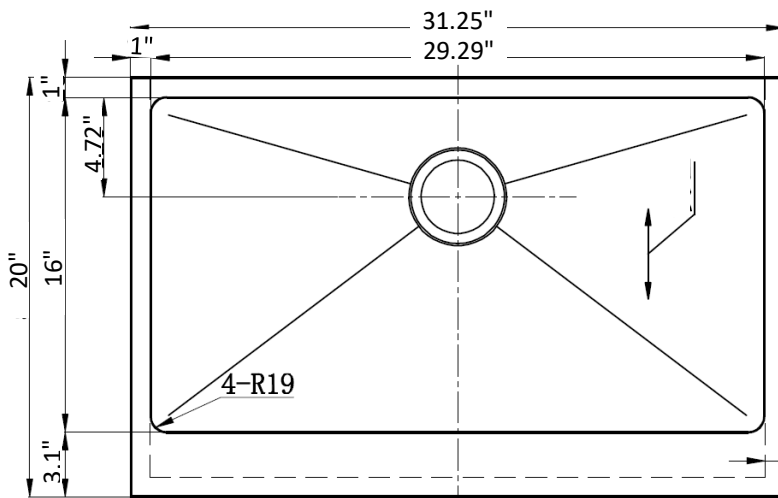
### OPTIONAL ACCESSORY:

BG 350A Bottom Grids

### CODES:

N/A

### Product Diagram



1-877-500-SINK (7465)

WEST COAST WAREHOUSE: 510-667-9998  EAST COAST WAREHOUSE: 404-691-5088

WWW.AMERISINK.COM