

“Scoop”

Undermount Vanity

Features

- Genuine Vitreous China
- Undermount Installation
- ADA-Compliant
(when installed according to ADA mounting guidelines)
- Single Compartment
- Rounded Rectangular Shaped Bowl
- Inward Front Slope Towards Drain



Dimensions
Outer: 20-1/4" x 15" x 7-1/2"
Inner: 18-1/4" x 13" x 5-1/2"

Model Number	Description	Color / Finish
YES4410	Undermount Sink	White
YES4420	Undermount Sink	Bisque

Included Components

- Cut-out template

Available Colors



Optional Accessories

- Pop-Up Drain
- Mounting Clips

Codes / Standards Applicable

Specified model meets or exceeds UPC certification



Product Specification

This undermount vanity sink shall be 20-1/4" in length and 15" in width, with an overall depth of 7-1/2" and a bowl depth of 5-1/2". Sink shall be a single compartment with rounded rectangular bowl and inward-facing slope towards drain, composed of Vitreous China. Sink shall be ADA-Compliant when installed according to ADA mounting guidelines. Sink shall be Continental Model "Scoop".

TECHNICAL INFORMATION

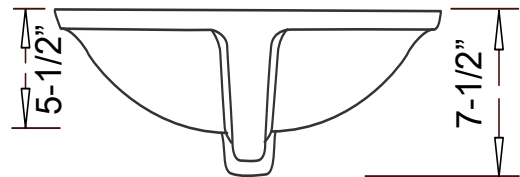
Fixture*	
Basin Area	18-1/4" x 13"
Water Depth	5-1/2"
Drain Hole	1-7/8" D
*Approximate measurements for comparison only.	

Please note: All porcelain sinks are fired at a very high temperature; final dimensions may vary slightly.

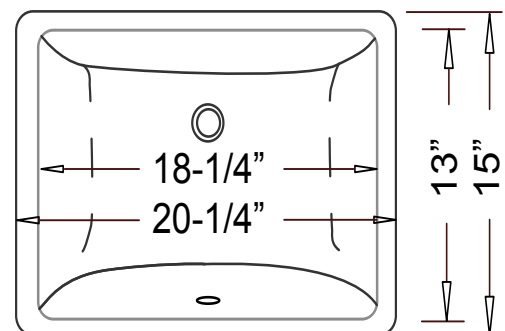


Installed Product Image

Front View



Top View



Product Diagram